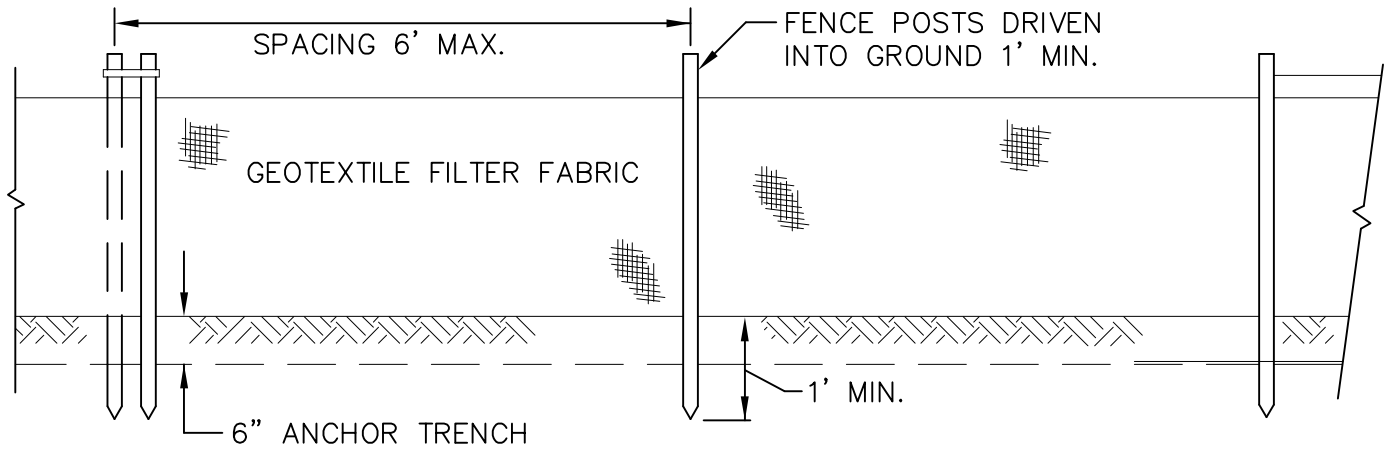
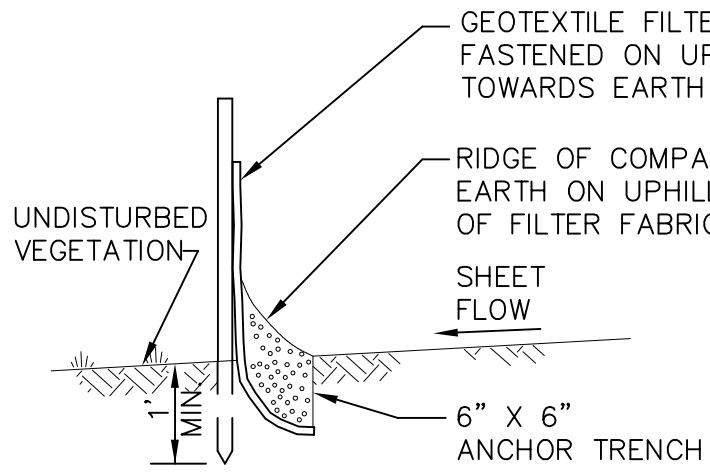


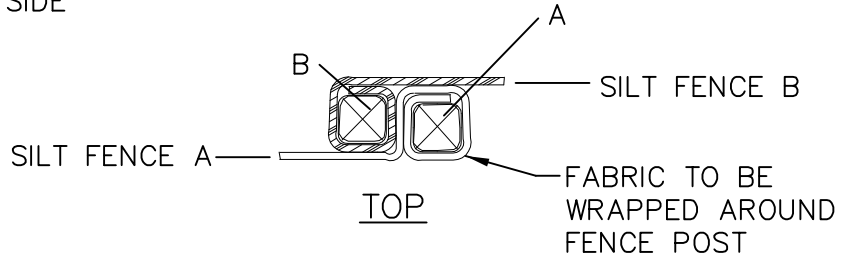
PLAN VIEW



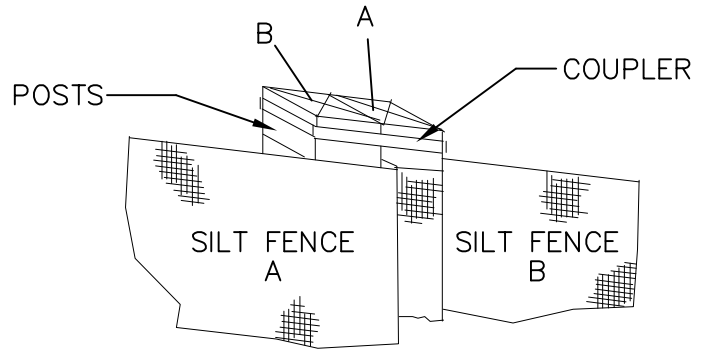
FRONT VIEW



SECTION A-A



TOP



SECTION B-B JOINT

SILT FENCE