

NOTES:

1. SECURE DROP PIPE TO MANHOLE WALL WITH RELINER-DURAN, INC STAINLESS STEEL ADJUSTABLE CLAMPING BRACKETS OR EQUAL.
2. ATTACH THE DROP BOWL & EACH CLAMPING BRACKET TO THE MANHOLE WALL WITH 3/8" x 3 3/4" RAMSET/RED HEAD BOLTS HELD IN PLACE WITH 2 STAGE EPOXY PASTE.

FOR DIRECTION CHANGES INSERT BEND DIRECTLY INTO TEE

PVC, SDR 26 OR SCH 40

COMPRESSION COUPLING

FLEXIBLE JOINT KOR-N-SEAL OR APPROVED EQUAL

PVC, SDR 26 OR SCH 40

STAINLESS STEEL RISER CLAMP

THREADED ROD ANCHORED INTO MANHOLE WALL

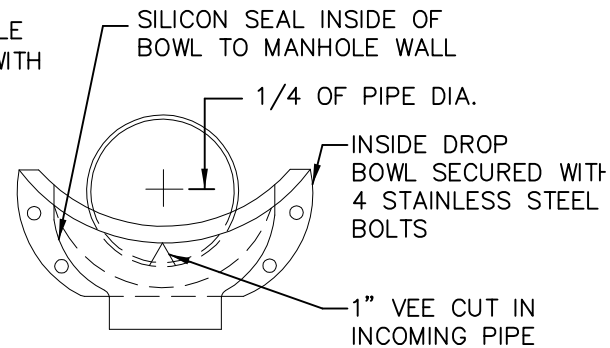
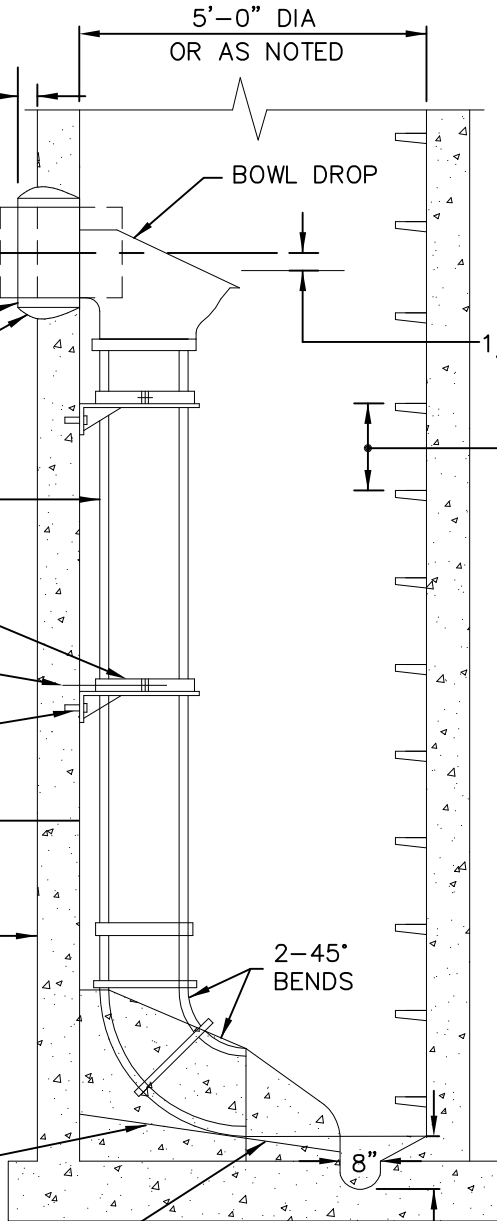
USE TWO SUPPORT BRACKETS MINIMUM

INSTALL DROP TIGHT TO WALL

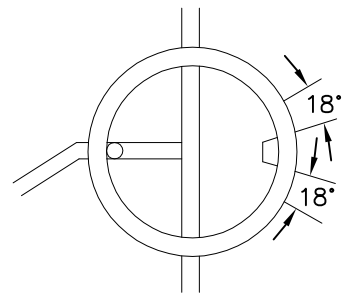
MANHOLE

TOP OF EXISTING FLOOR

LONG SWEEP 90° OR 2-45° BENDS ENCASED IN CONCRETE TO FORM FLOW CHANNEL ANGLE IN DIRECTION OF FLOW.



DROP BOWL MOUNTING POSITION



DROP SHALL BE NO CLOSER THAN 18" FROM STEP

SIZE	
LINE	LINE
4"	4"
6"	6"
8"	8"
10"	8"
MH DIA.	MAX. DROPS
4'	2-6"
5'	4-6"
5'	2-8"
6'	3-8"

INTERIOR DROP  
SANITARY MANHOLE