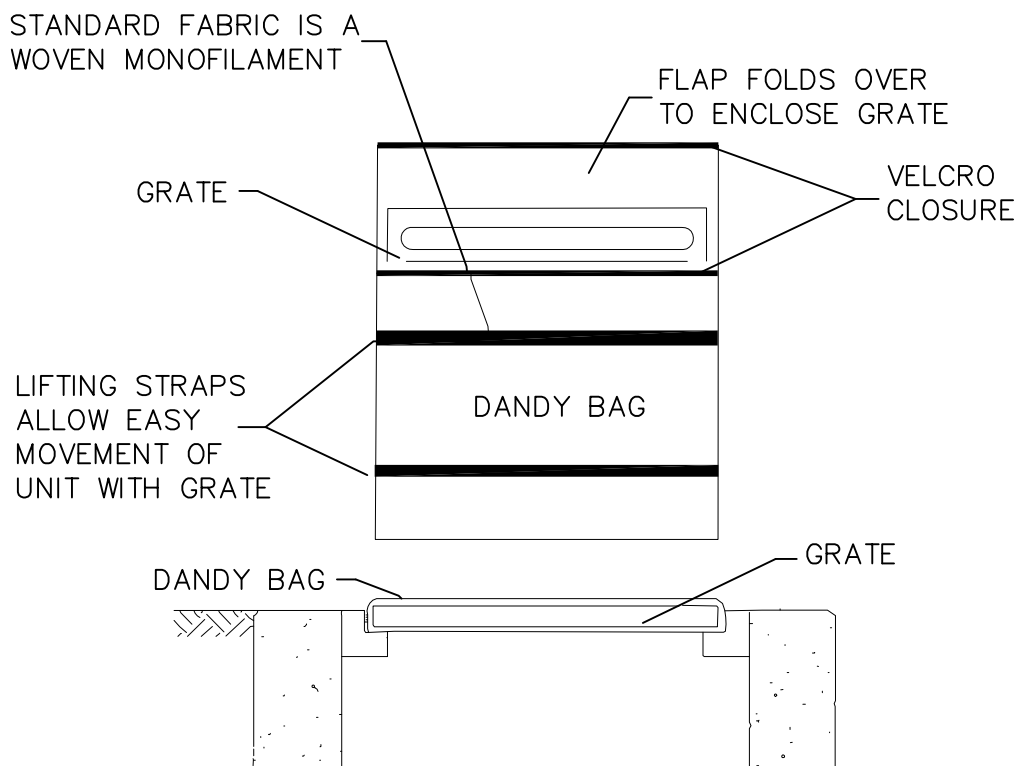


NOTE:

TO INSURE PROPER OPERATION REMOVE SILT, SEDIMENT, AND DEBRIS FROM THE SURFACE AND THE VICINITY OF THE UNIT WITH A SQUARE POINT SHOVEL OR STIFF BRISTLE BROOM AWAY FROM ENVIRONMENTALLY SENSITIVE AREAS AND WATERWAYS IN MANNER SATISFACTORY TO THE ENGINEER/INSPECTOR. REMOVE FINE MATERIAL FROM INSIDE DANDY BAG AS NEEDED. DISPOSE OF DANDY BAG NO LONGER IN USE AT AN APPROPRIATE RECYCLING OR SOLID WASTE FACILITY. TO INSPECT INLET, REMOVE DANDY BAG WITH GRATE INSIDE, INSPECT CATCH BASIN AND REPLACE DANDY BAG BACK INTO GRATE FRAME.



DANDY BAG